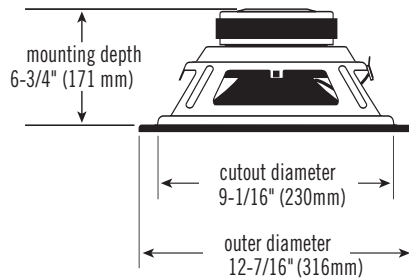


JBL

P1022 10" Woofer – Technical Data

SPECIFICATIONS

DIAMETER:	10" (254mm)
SENSITIVITY (2.83 V @ 1 m):	96 dB
POWER HANDLING:	400 W _{RMS} 1600 W _{PEAK}
FREQUENCY RESPONSE:	25 ~ 500 Hz
NOMINAL IMPEDANCE:	2 OHMS (per coil)
VOICE-COIL DIAMETER:	3.0" (76.2 mm)

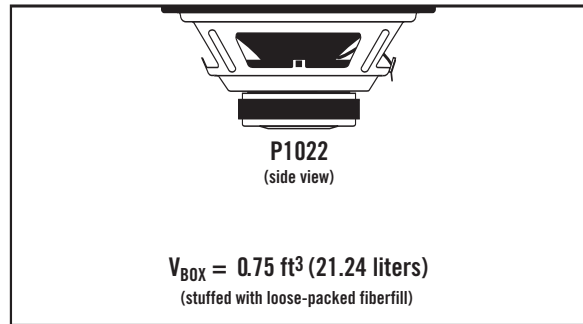
DIMENSIONS:

THIELE-SMALL PARAMETERS

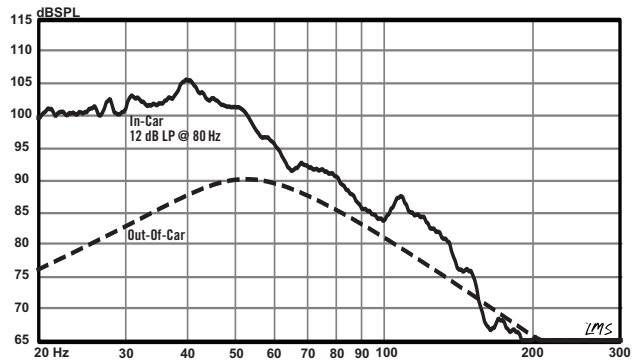
VOICE COIL DC RESISTANCE:	R_{EVC} (OHMS) 1.00
VOICE COIL INDUCTANCE @ 1kHz:	L_{EVC} (MH) 1.10
DRIVER RADIATING AREA:	S_D (IN ²) 56.27
	S_D (CM ²) 363.00
MOTOR FORCE FACTOR:	BL (TM) 9.43
COMPLIANCE VOLUME:	V_{AS} (FT ³) 0.71
	V_{AS} (LITERS) 20.00
SUSPENSION COMPLIANCE:	C_{MS} (μM/N) 106.30
MOVING MASS, AIR LOAD:	M_{MS} (GRAMS) 281.30
MOVING MASS, DIAPHRAGM:	M_{MD} (GRAMS) 277.30
FREE-AIR RESONANCE:	F_S (HZ) 29.00
MECHANICAL Q:	Q_{MS} 8.21
ELECTRICAL Q:	Q_{ES} 0.58
TOTAL Q:	Q_{TS} 0.55
MAGNETIC-GAP HEIGHT:	H_{AG} (IN) 0.48
	H_{AG} (MM) 12.00
VOICE-COIL HEIGHT:	H_{VC} (IN) 1.58
	H_{VC} (MM) 40.00
MAXIMUM EXCURSION:	X_{MAX} (IN)56
	X_{MAX} (MM) 14.00

*VOICE COIL CONNECTED IN PARALLEL

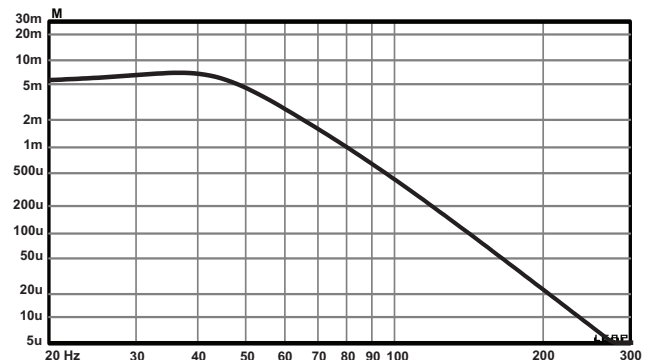
SEALED ENCLOSURE VOLUME (INCLUDES DRIVER DISPLACEMENT)



SEALED ENCLOSURE FREQUENCY RESPONSE @ 2.83 V



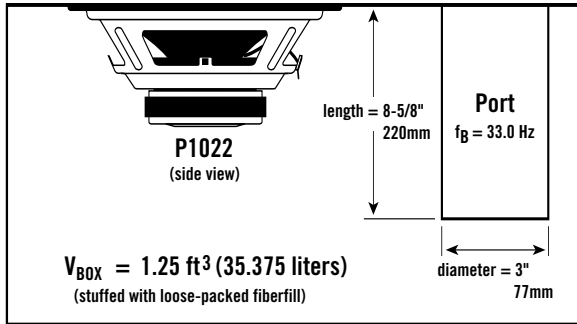
SEALED ENCLOSURE TRANSDUCER EXCURSION @ 400 W



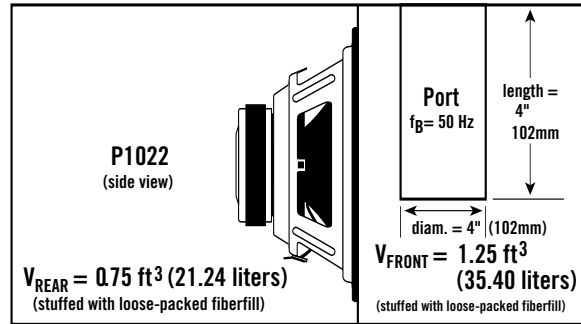


P1022 10" Woofer – Technical Data

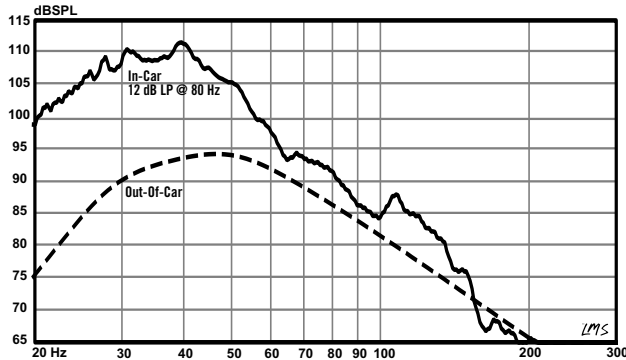
VENTED ENCLOSURE VOLUME (INCLUDES DRIVER/PORT DISPLACEMENTS)



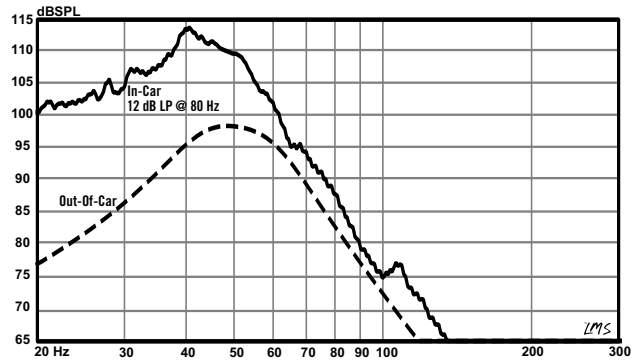
BANDPASS ENCLOSURE VOLUME (INCLUDES DRIVER/PORT DISPLACEMENTS)



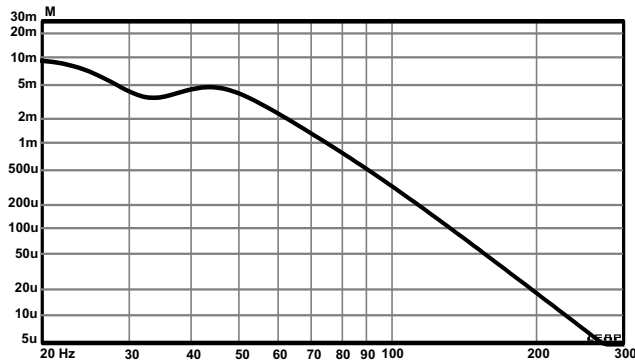
VENTED ENCLOSURE FREQUENCY RESPONSE @ 2.83 V



BANDPASS ENCLOSURE FREQUENCY RESPONSE @ 2.83 V



VENTED ENCLOSURE TRANSDUCER EXCURSION @ 400 W



BANDPASS ENCLOSURE TRANSDUCER EXCURSION @ 400 W

