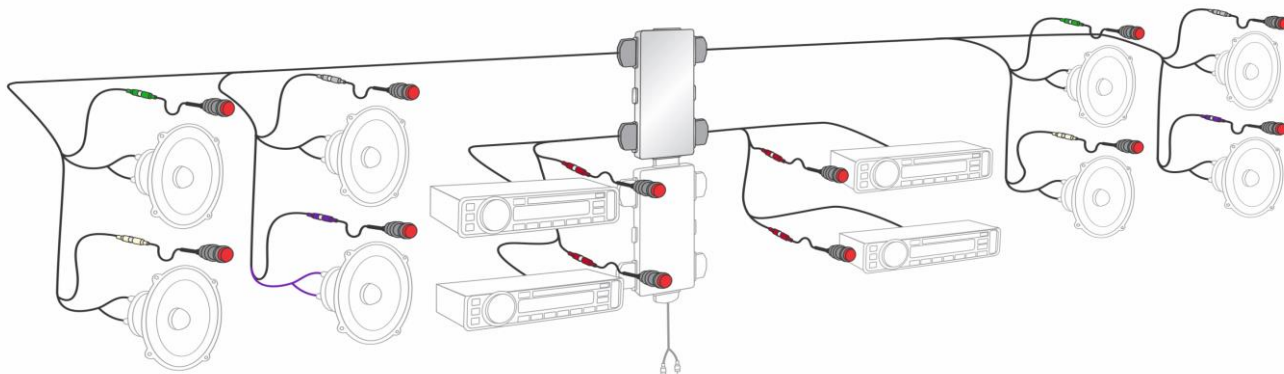


THE BEST FEATURED AND LOWEST COST SWITCHING SYSTEM IN THE WORLD

Introducing the amazing



Universal Point to Point Car Audio Comparitor



Get some claws into your audio visual displays and watch sales grow

This product is designed to allow easy self demonstration of audio visual equipment in retail showrooms. The system is very customer orientated. Customers love the ease of operation of this point to point control system without instruction, and with no confusion to what they are listening to. Sales will increase with less customer attention required.

A complete solution at a fraction of the cost

This system, in comparison to any competitor, can halve your immediate, near and long term costs and save many thousands of dollars. Some retailers find it difficult to keep displays in working order and abandon the product. This system overcomes many inefficient processes resulting in a reliable low cost product that can be easily removed and reused again in different displays without ever losing value or becoming obsolete.

Universal expanding design suits all switching configurations

This inherently safe, new digital analogue real time design utilises the latest technologies to provide programmable modules that simply plug end to end providing infinite expansion. In the 2 channel mode, up to 4 car radio or amplifier combinations and 4 speaker pairs can be compared. In the 4 channel mode, up to 2 car radio or amplifier combinations and 2 stereo speaker pairs can be selected in a complete 4 channel matrix.

An appreciating asset designed to last a lifetime

New, innovative, latch technology and integrated wiring system resulted in the best featured and lowest priced switching system in the world. All switching can be utilised for other custom signal, power or data switching ensuring flexibility, long term reliability and ease of service. Sealed and shielded metal construction with depluggable relays and cable assemblies, will never require programming or adjusting.

Universal kit contains everything you need

As only final product connections are required, each Claw can be easily installed by an experienced car radio installer in less than an hour. Momentary long life super bright led switch indicators on all radios, amplifiers and individual speakers provide a smooth time delayed operation. Car audio industry standard, colour coded high temperature cables and low noise signal cables ensure efficient transfer of power and signals.

Warranty and fair use policy

Five year replacement policy on electronic module, beside relay replacement there are no user servicable methods or parts inside the module. Relays, cable assemblies and control switches are very reliable for many operations and warranted for 12 months. A fair use policy also applies to these components in case of damage as a result of exceeding ratings, faulty wiring connections or incorrect use.

Specifications

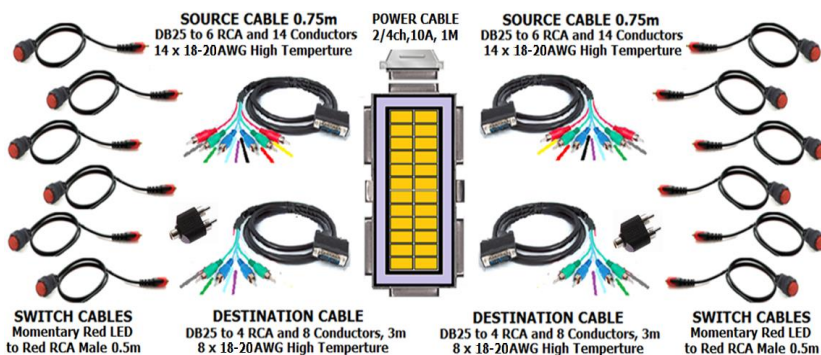
Input Voltage	14.4VDC, 10%, regulated supply
Max Switching Power 4Ch	1000 Watts (All channels active, peak power)
Speakers, 2 Channel Mode	4 Way, 4 Pole, 4 x stereo speaker pairs, unlimited expansion
Speakers, 4 Channel Mode	2 Way, 8 Pole, 2 x 4 ch matrix speaker pairs, unlimited expansion
Radio / Amplifier, 2 Channel Mode	4 Way, 8 Pole (Rca and speaker switching, unlimited expansion
Radio / Amplifier, 4 Channel Mode	2 Way, 16 Pole, Rca and speaker switching, unlimited expansion

Kit Contents

2	HBT001	Source Cable
2	HBT002	Destiny Cable
12	HBT003	Switch Cable
1	HBT004	Claw Switch
1	HBT005	Power Cable
2	HBT006	RCA Adaptor
1	HBT008	Packing Box
1	HBT009	Install Guide



Free engineering service available from manufacturer to customise or pre-program to your exact requiremen1



INSTALLATION GUIDE

4 CHANNEL WIRING

See Note 1

2 CHANNEL WIRING

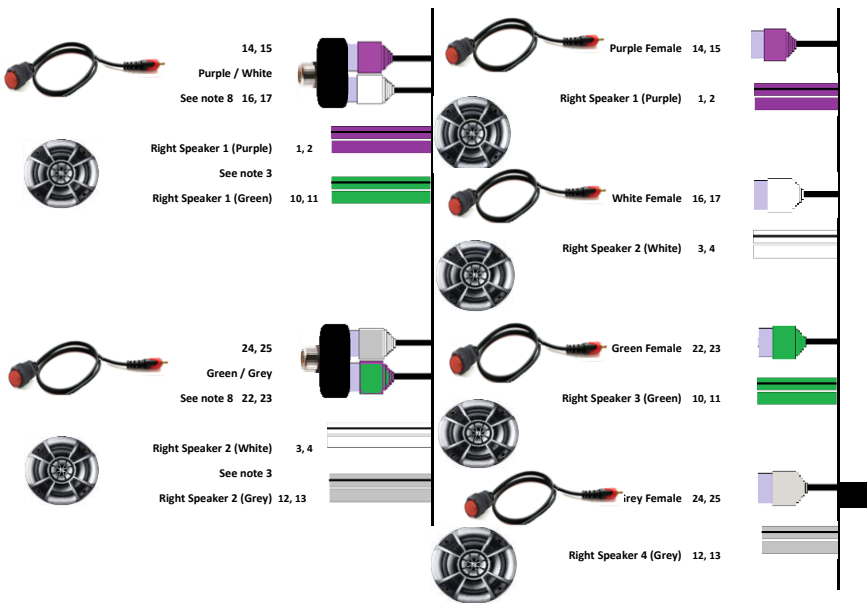
See Note 1



DESTINATION CABLE ASSY 3m

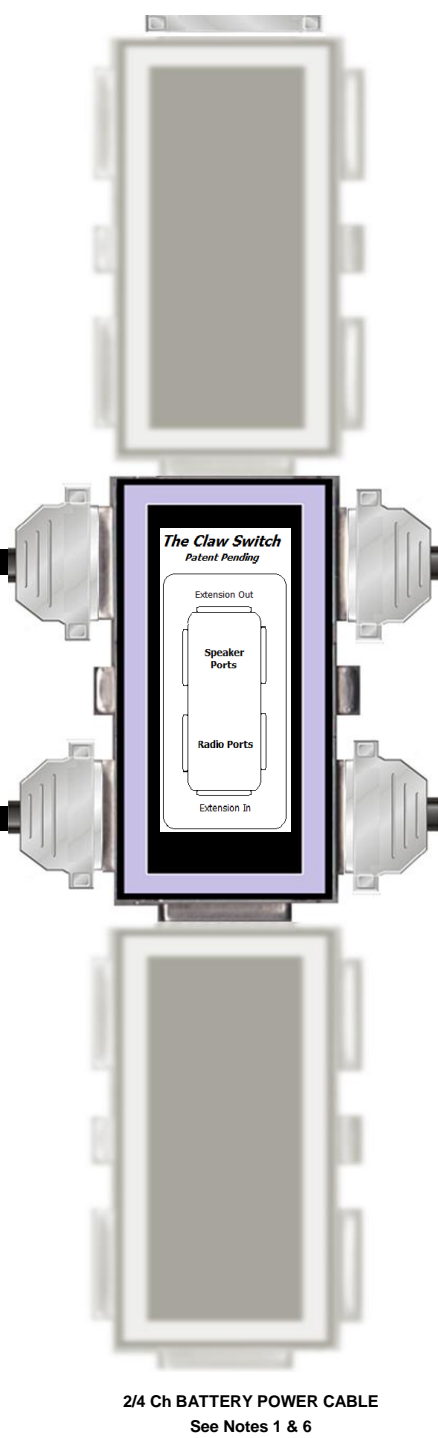
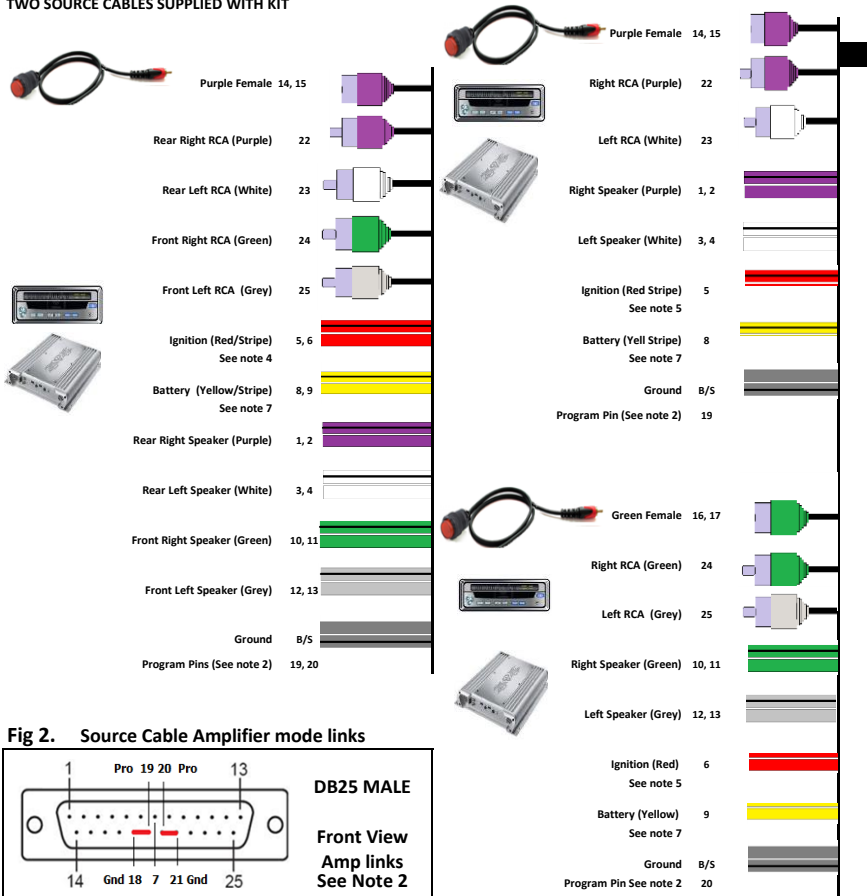
TWO DESTINATION CABLES SUPPLIED WITH KIT

SWITCH CABLE 16mm MOUNTING HI



SOURCE CABLE ASSY 0.75m

TWO SOURCE CABLES SUPPLIED WITH KIT



2/4 Ch BATTERY POWER CABLE
See Notes 1 & 6

Fig 2. Source Cable Amplifier mode links

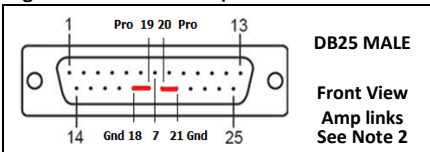
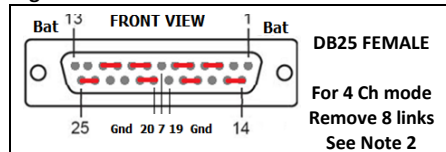


Fig 1. Power Cable Mode Links



- Note 1.** For 4 channel mode remove all 8 adjacent links inside power lead connector. See Fig 1
- Note 2.** To program this port for a power amplifier, ground indicated program pin. See Fig 2
- Note 3.** Parallel connect both speaker cables to speaker terminals, observe polarisation
- Note 4.** In 4 channel mode both cores of twinflex (Red, Yellow, Black) are paralleled
- Note 5.** In 2 channel mode both cores of twinflex (Red, Yellow, Black) are separated
- Note 6.** Main power supply cable (Yellow) supplies direct power from battery terminals

- Note 7.** For high powered equipment ensure heavy duty battery and ground cables are run directly to power supply
- Note 8.** Install twin male to single female rca adaptor where indicated for single switch 4 channel operation
- Note 9.** Ensure adequate wiring ventilation and that red bullet crimp connectors are used for all terminations